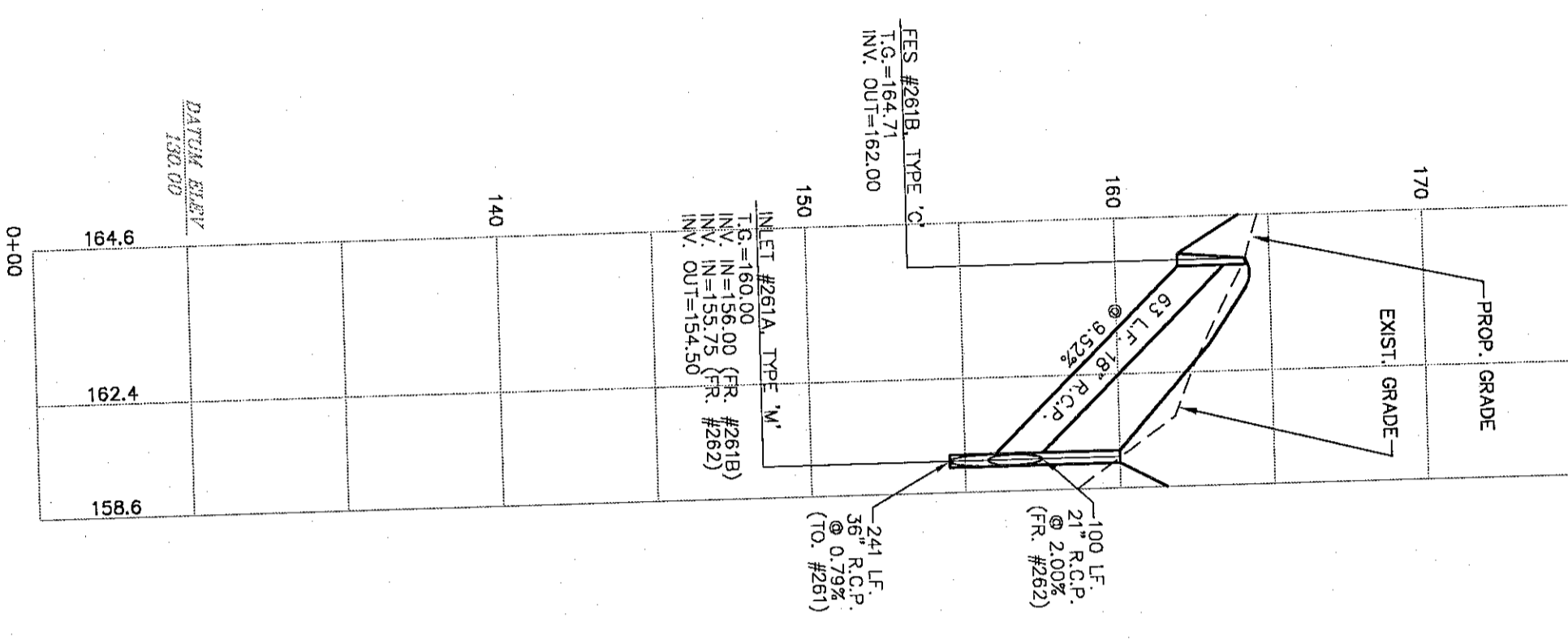
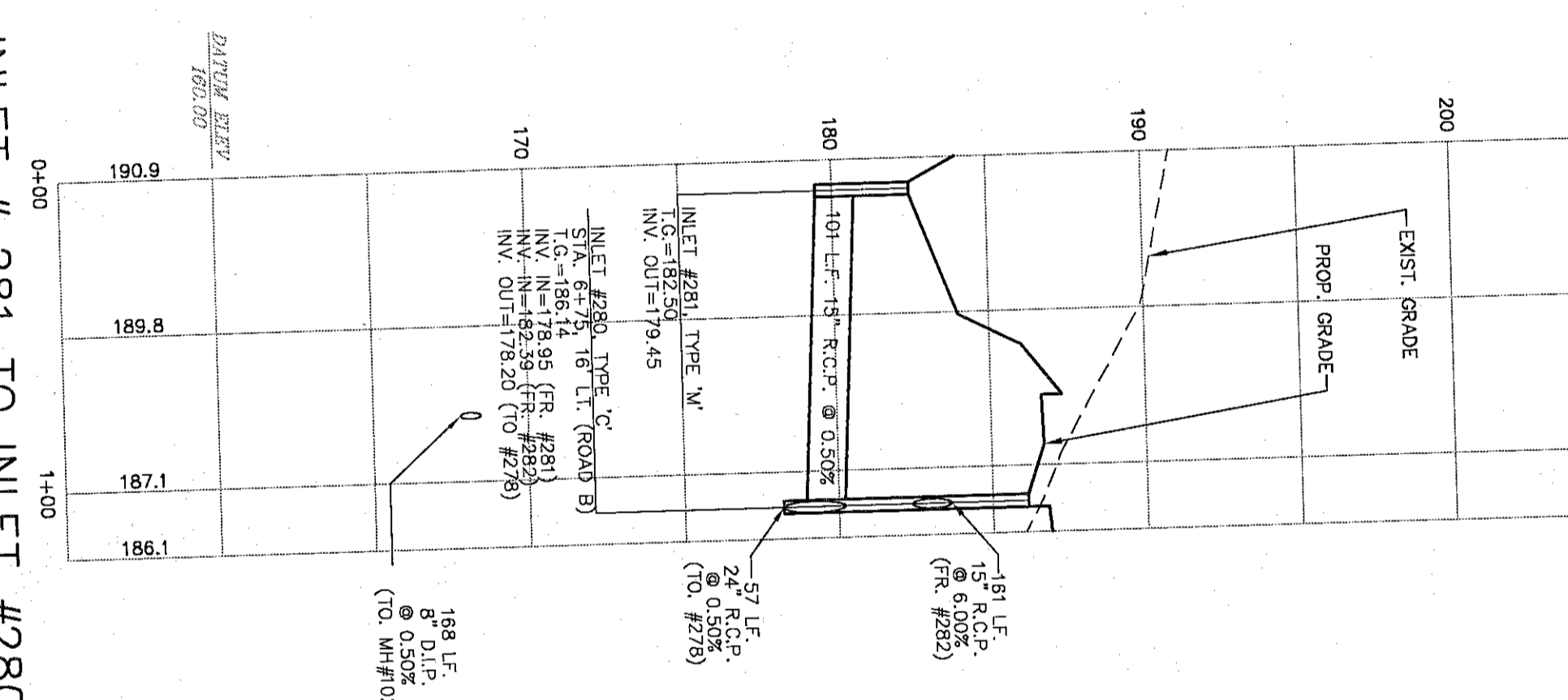


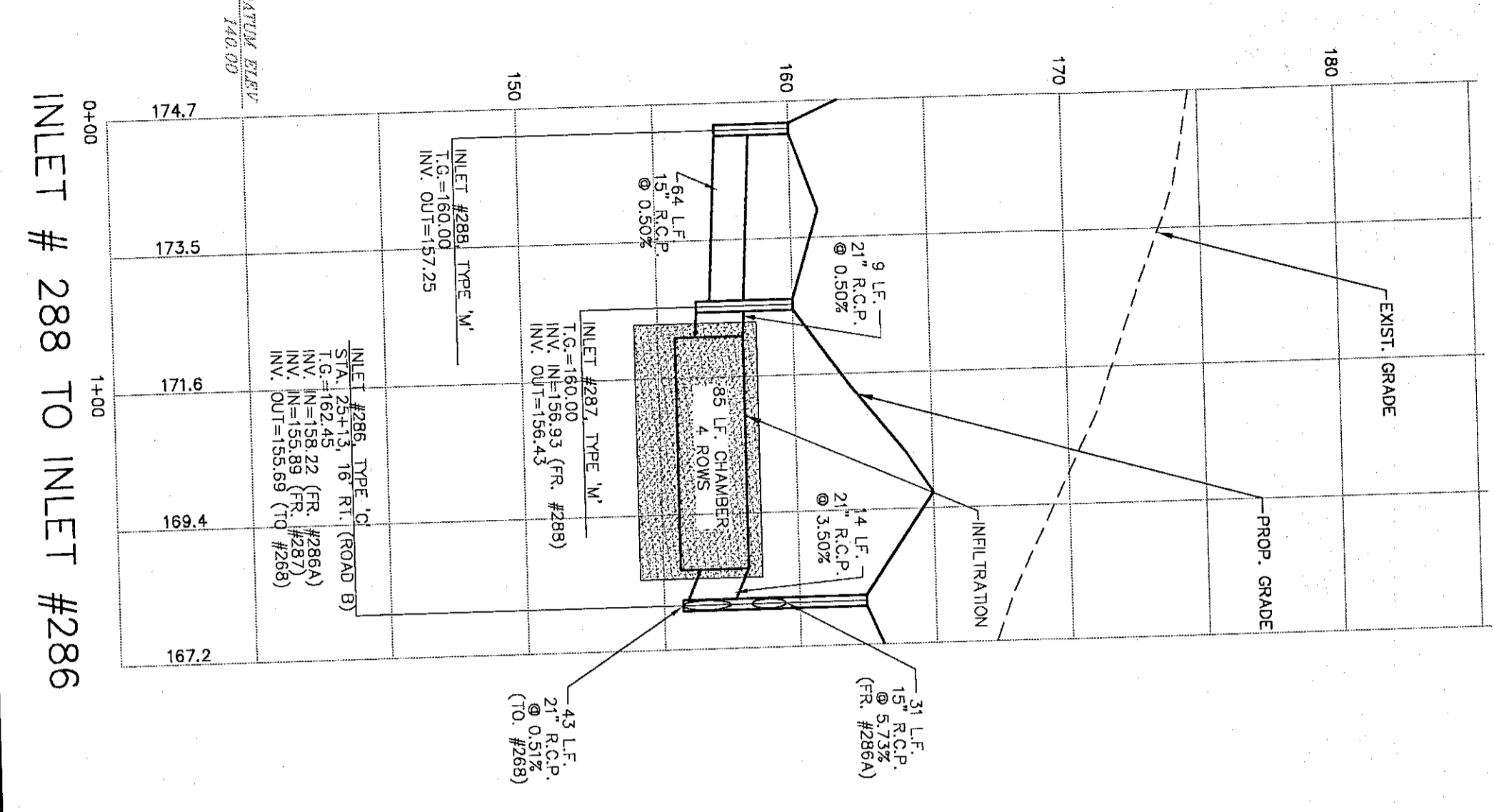
INLET # 252A TO INLET # 8



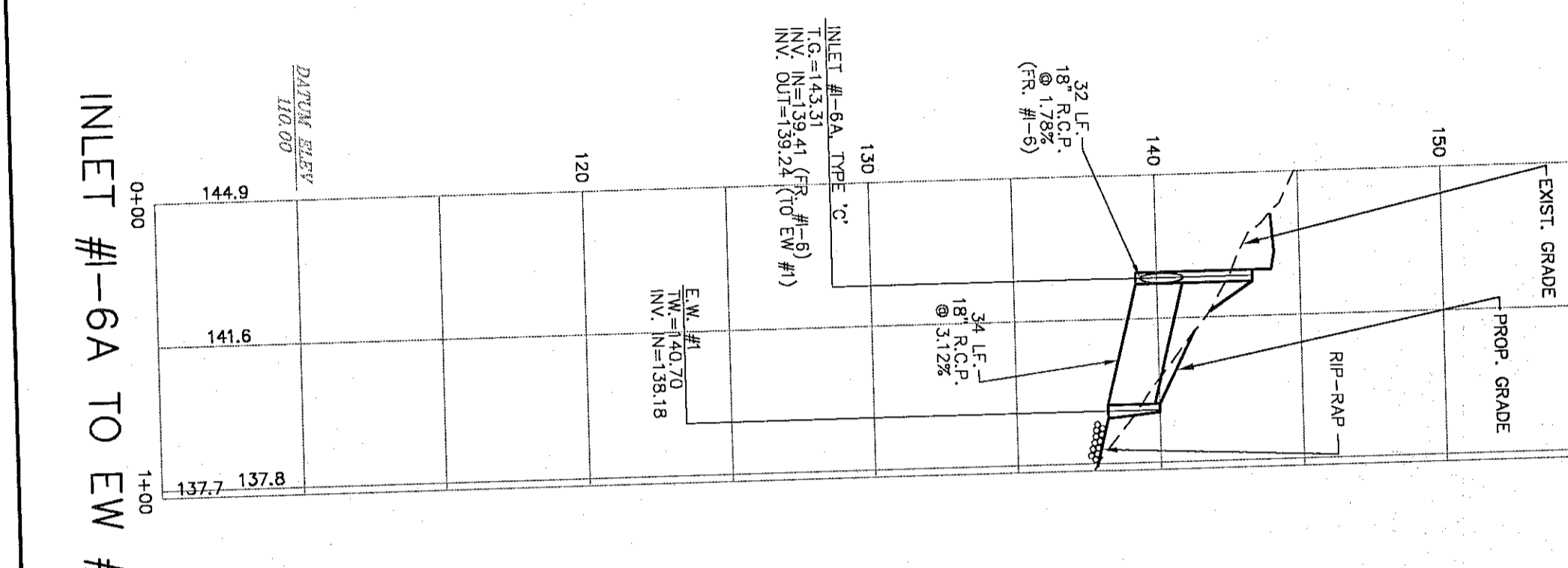
FES # 261B TO INLET # 261A



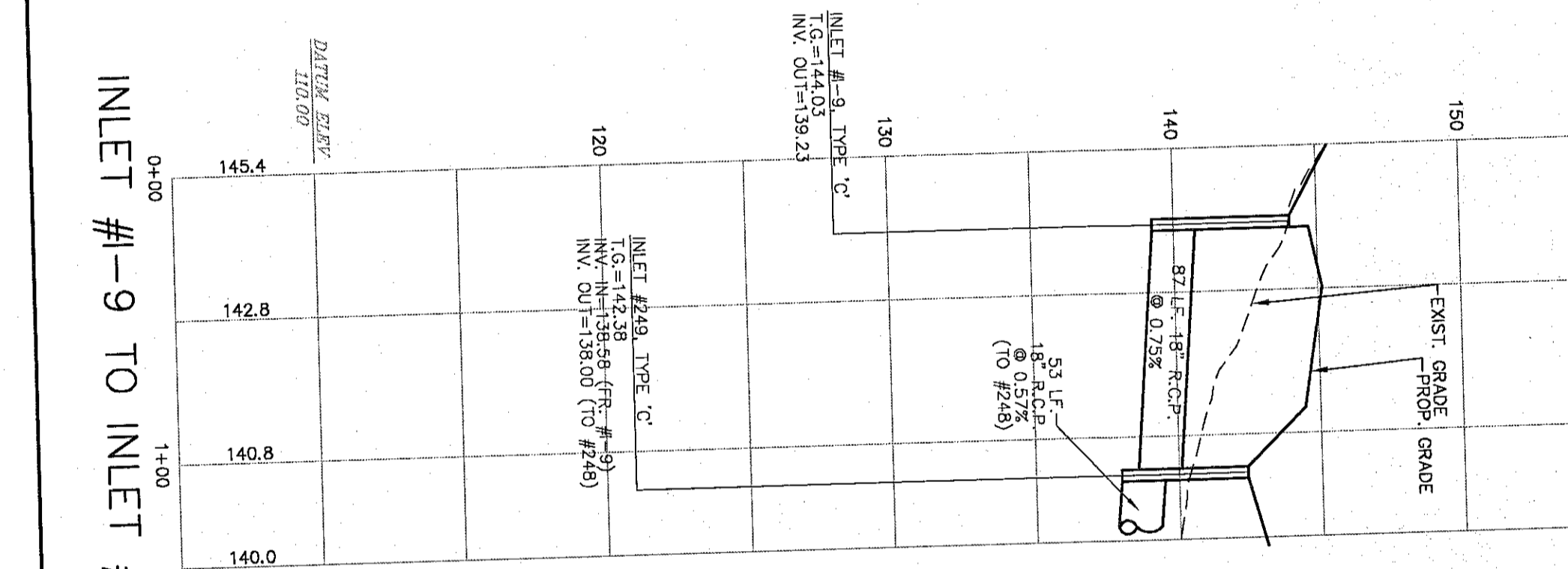
INLET # 281 TO INLET # 280



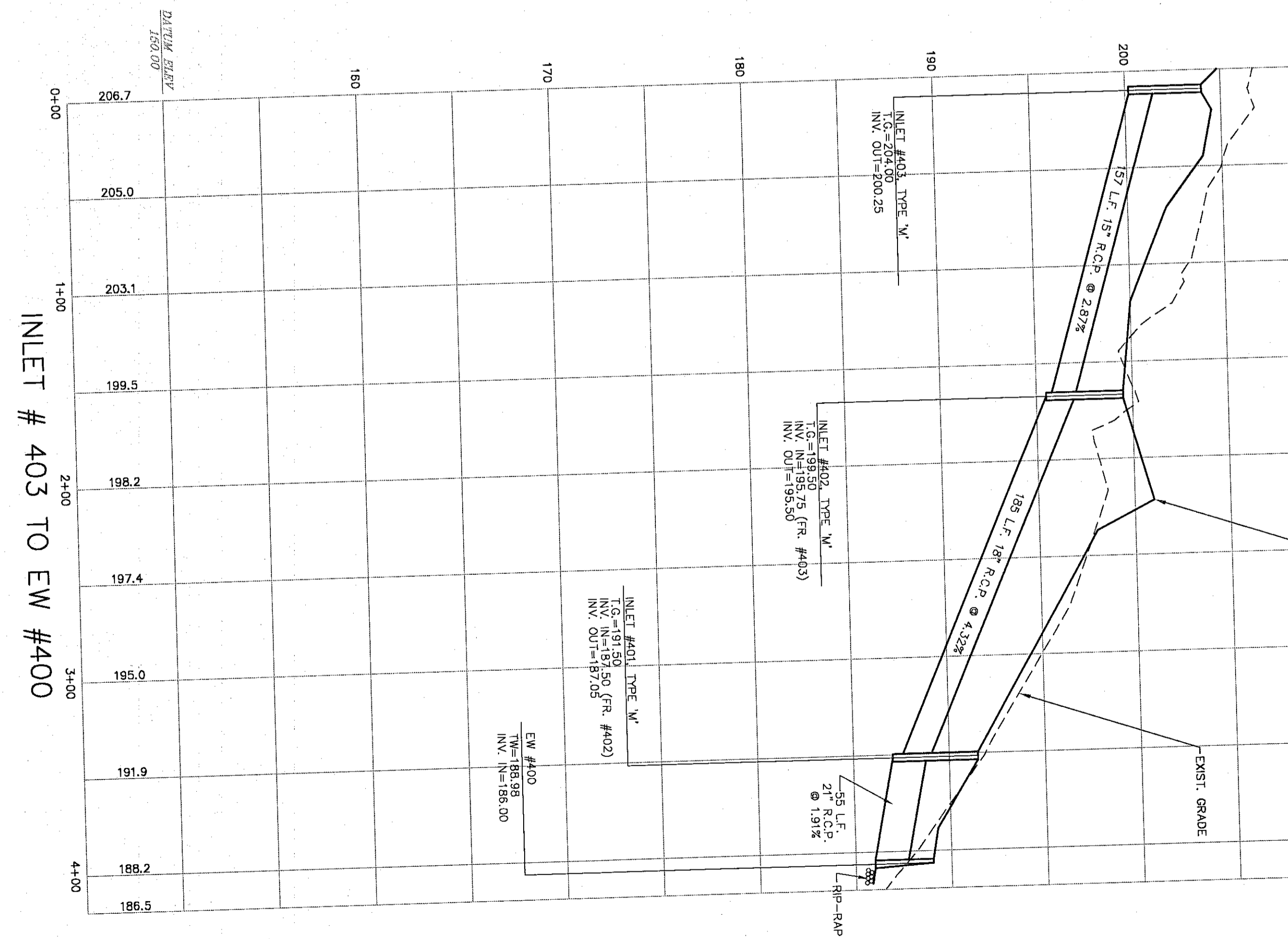
INLET # 288 TO INLET # 286



INLET # 6A TO EW #1



INLET # 9 TO INLET # 249



INLET # 403 TO EW #400

NOTE:
 1. CONTRACTOR TO PROVIDE A MINIMUM OF 1.5' OF CLEARANCE WHERE WATERMAIN CROSSES PROPOSED SANITARY SEWER AND STORM SEWER COLLECTION SYSTEM.
 2. CONTRACTOR TO PROVIDE A MINIMUM OF 12" OF COVER OVER ALL EXPOSED SANITARY SEWER AND STORM SEWER MAINS. DEEP CUT LATERALS AND LATERAL RISERS TO BE USED WHERE NECESSARY.

SCALE: 1" = 50' HORIZ.
 1" = 5' VERT.

DATE: 11/2/03		SCALE: AS NOTED	
DESIGNER: JTB	DRAWN: JTB	CHECKED: JTB	IN CHARGE: JTB
JOB NO.: 1114	FILE NAME: SDD07.15	SHEET NO.: 34	OF 78
EASEMENT PROFILES REGENCY AT PROVIDENCE (a.k.a. FOGEL TRACT) UPPER PROVIDENCE TWP, PENNSYLVANIA			

REV.	DATE	DESCRIPTION	DRAWN
5	1/31/05	FINAL CONSTRUCTION DRAWINGS	MDD
4	11/22/04	REVIEW LETTER 9/28/04; RDS, A, B, D COMM CTR	MDD
3	8/04/04	AGENCY REVIEW LETTER DATED 7/29/04	MDD
2	7/21/04	AGENCY REVIEW LETTERS 6/29/2004, 6/30/2004	MDD
1	6/07/04	AGENCY REVIEW LETTERS; TOWNSHIP COMMENTS	PAB

ESE EASTERN STATES ENGINEERING

CIVIL ENGINEERS - LAND SURVEYORS - LANDSCAPE ARCHITECTS - LAND PLANNERS

250 GIBRALTAR ROAD
 SUITE 2E
 HORSHAM, PA 19044
 TEL: (215) 914-2050
 FAX: (215) 293-5488

JAMES D. TAKACS
 REGISTERED PROFESSIONAL ENGINEER
 No. 12553A
 PENNSYLVANIA