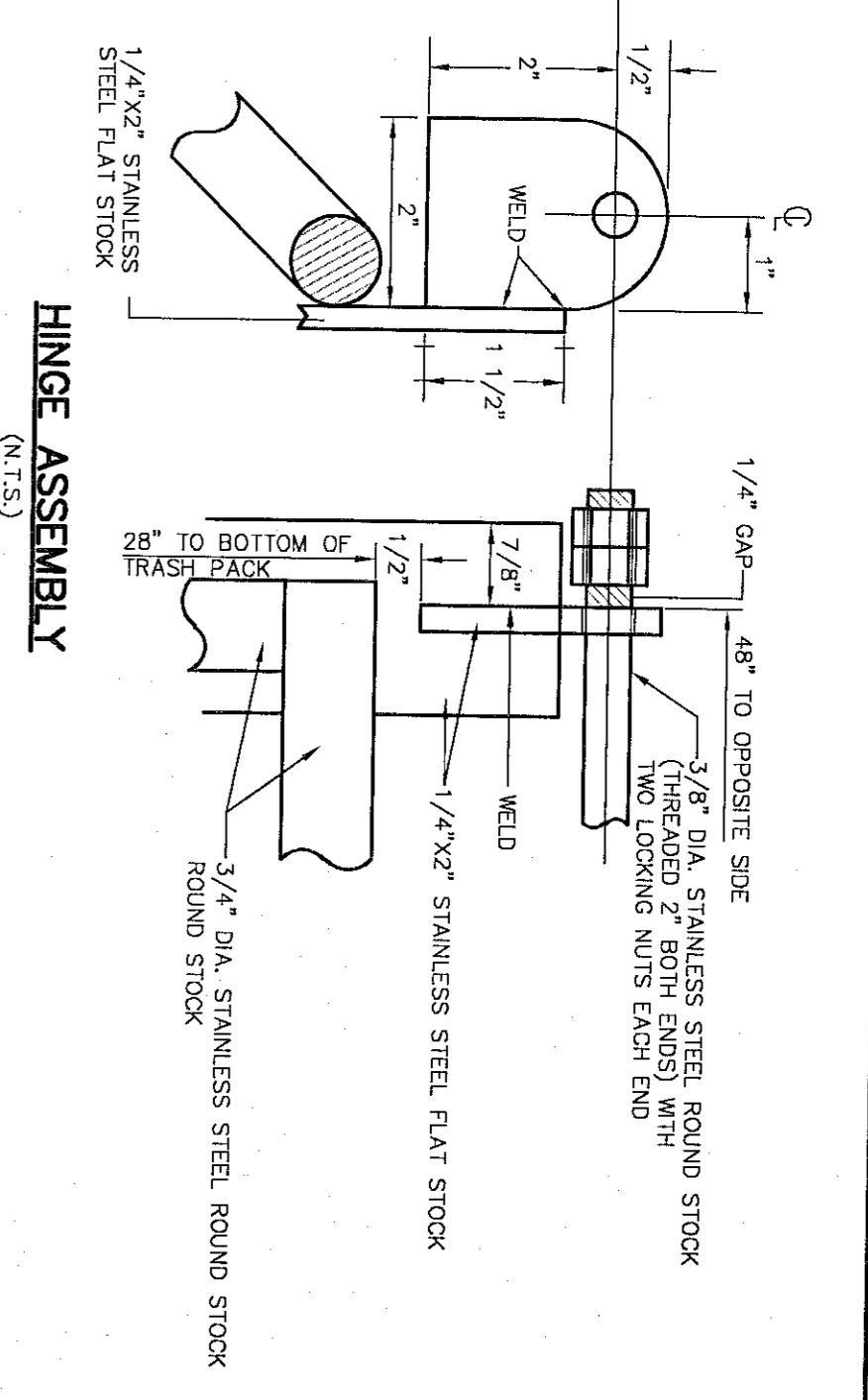


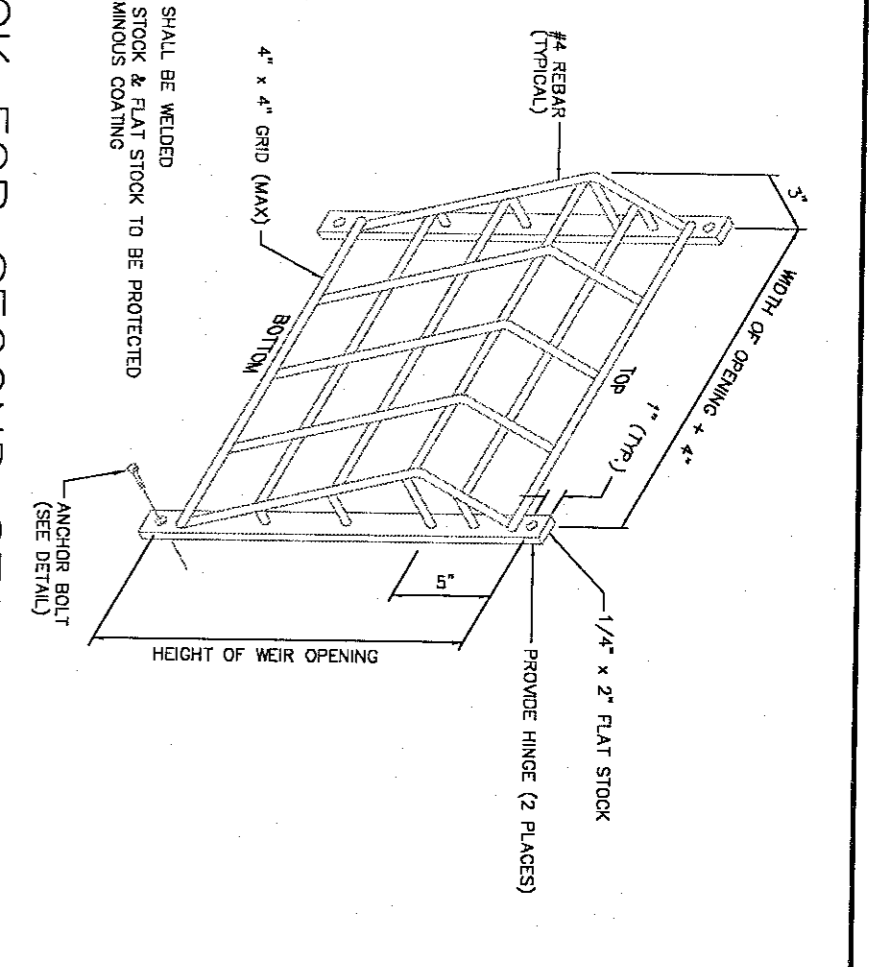
BASIN #	# OF COLLARS	VERTICAL PROJECTION SPACING (FT.)
1	2	18.87
2	3	2.5
3	2	20.00

CONCRETE ANTI-SLEEP COLLAR
N.T.S.

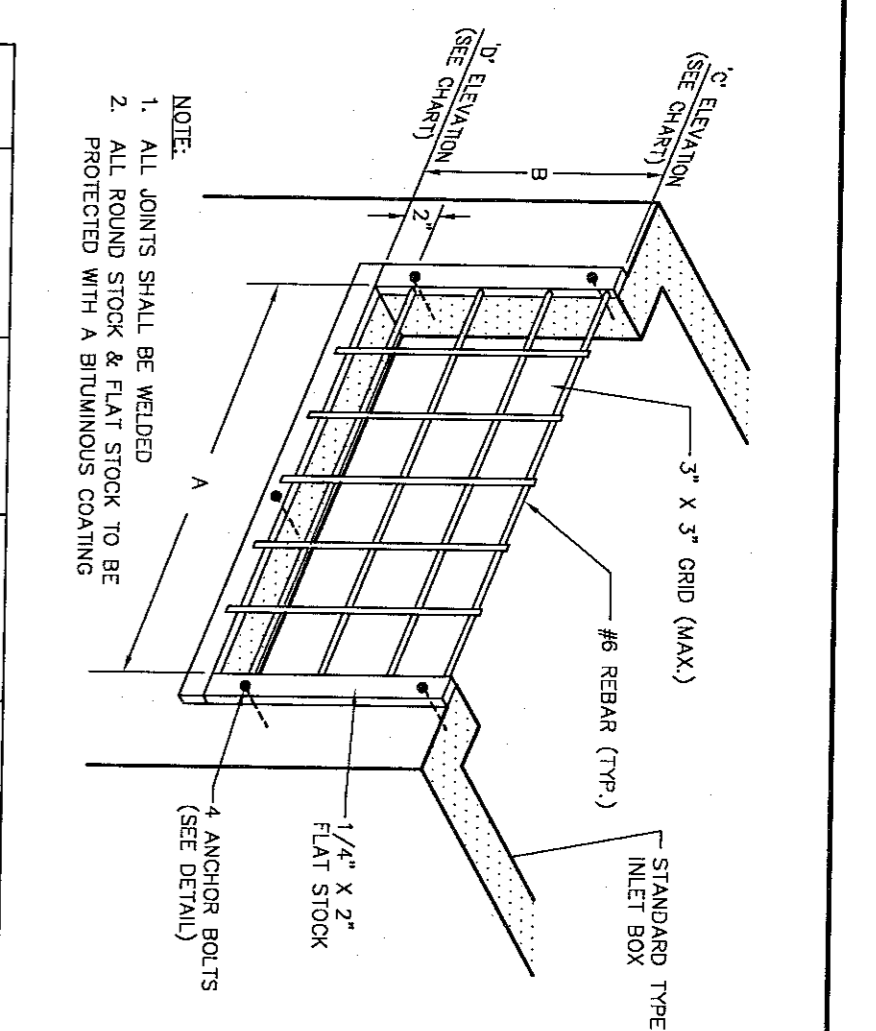
HINGE ASSEMBLY
(N.T.S.)



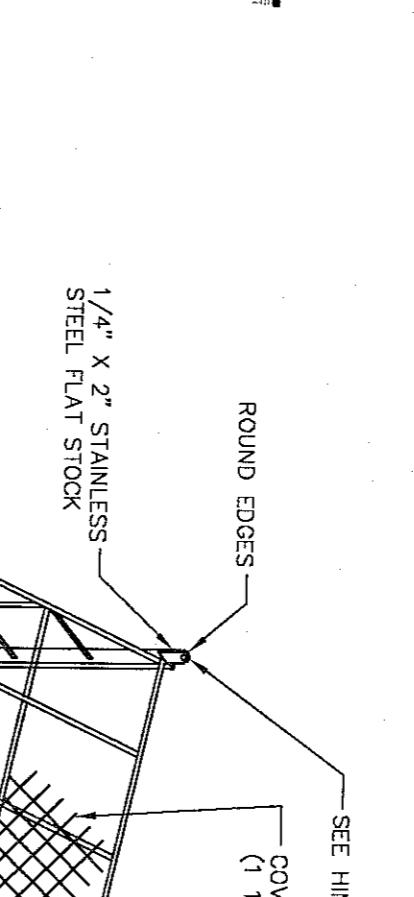
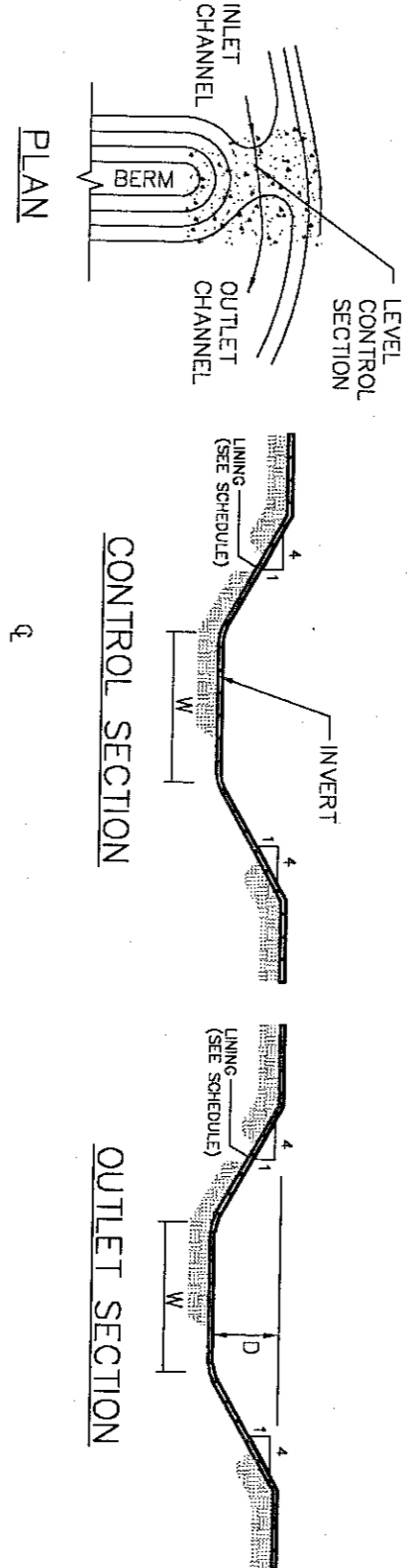
TRASH RACK FOR SECOND STAGE OUTLETS
SCALE: N.T.S.



WEIR TRASH RACK DETAIL
N.T.S.



BASIN STRUCTURE #	A (FEET)	B (FEET)	C (ELEVATION)	D (ELEVATION)
1	2.00	0.50	126.20	125.80



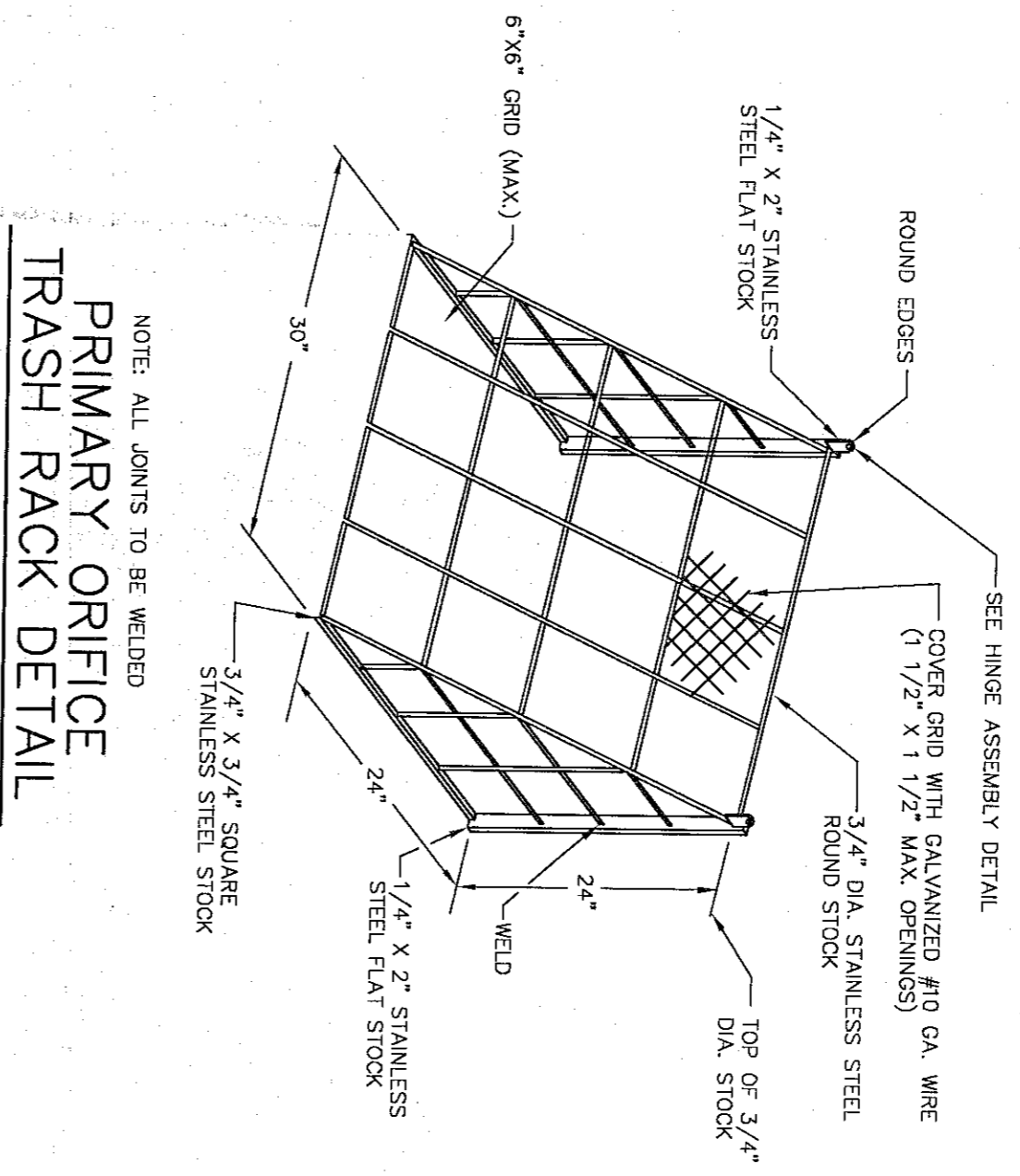
EMERGENCY SPILLWAY SCHEDULE

BASIN #	TOP OF BERM	PERMANENT CONTROL SECTION		TEMPORARY CONTROL SECTION		OUTLET SECTION			
		WIDTH	INVERT	WIDTH	INVERT	SLOPE	W	D	LINING
1	129.00	140	126.70	GRASS	NOT USED	.250	140	2.30	GRASS
2	128.00	85	125.91	GRASS	NOT USED	.250	85	2.09	GRASS
3	154.00	20	153.20	GRASS	NOT USED	.250	20	0.80	GRASS

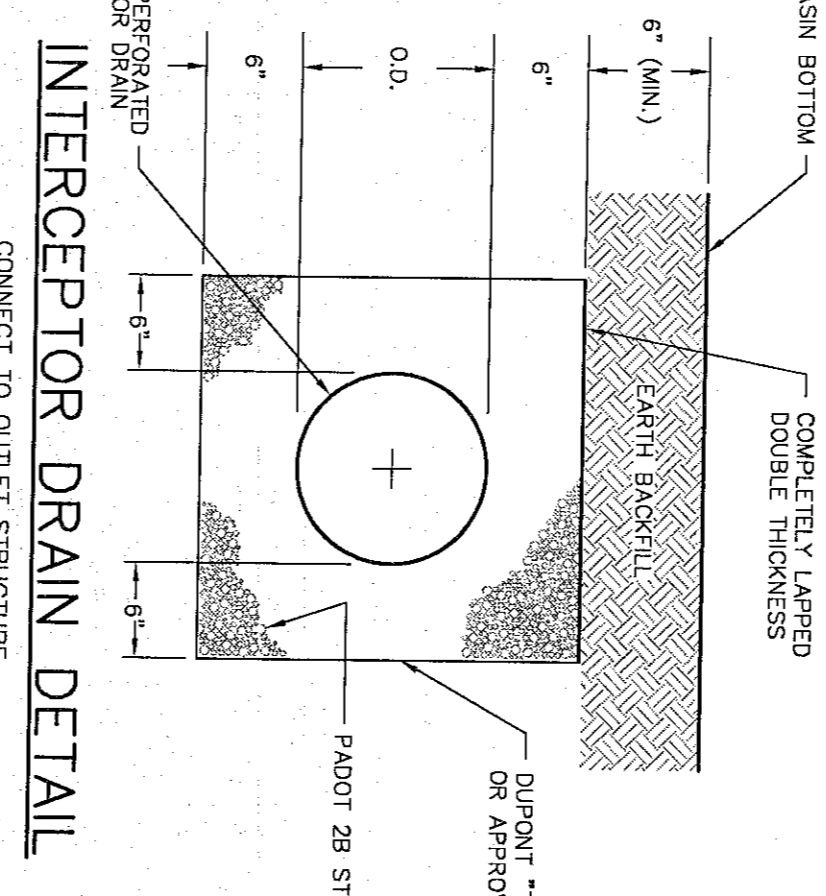
EMERGENCY SPILLWAY DETAILS

- NOTES:**
1. ALL TREES, ROOTS AND OTHER OBJECTIONABLE MATERIAL SHALL BE REMOVED SO AS NOT TO INTERFERE WITH FLOW.
 2. ALL FILLS SHALL BE PLACED IN UNIFORM HORIZONTAL LAYERS OF NOT MORE THAN A LOOSE 8 INCH DEPTH FOR THE FULL WIDTH AND EACH LAYER COMPACTED TO NOT LESS THAN 90% OF THE MAXIMUM DRY WEIGHT DENSITY.
 3. INTERSECTION OF SIDES AND BOTTOM SHALL BE ROUNDED.
 4. CHANGES IN HORIZONTAL AND VERTICAL ALIGNMENT SHALL BE GRADUAL, UNINTERRUPTED POSITIVE GRADE MUST BE MAINTAINED TO THE OUTLET.
 5. STABILIZE SPILLWAYS IMMEDIATELY AFTER GRADING IS COMPLETE.

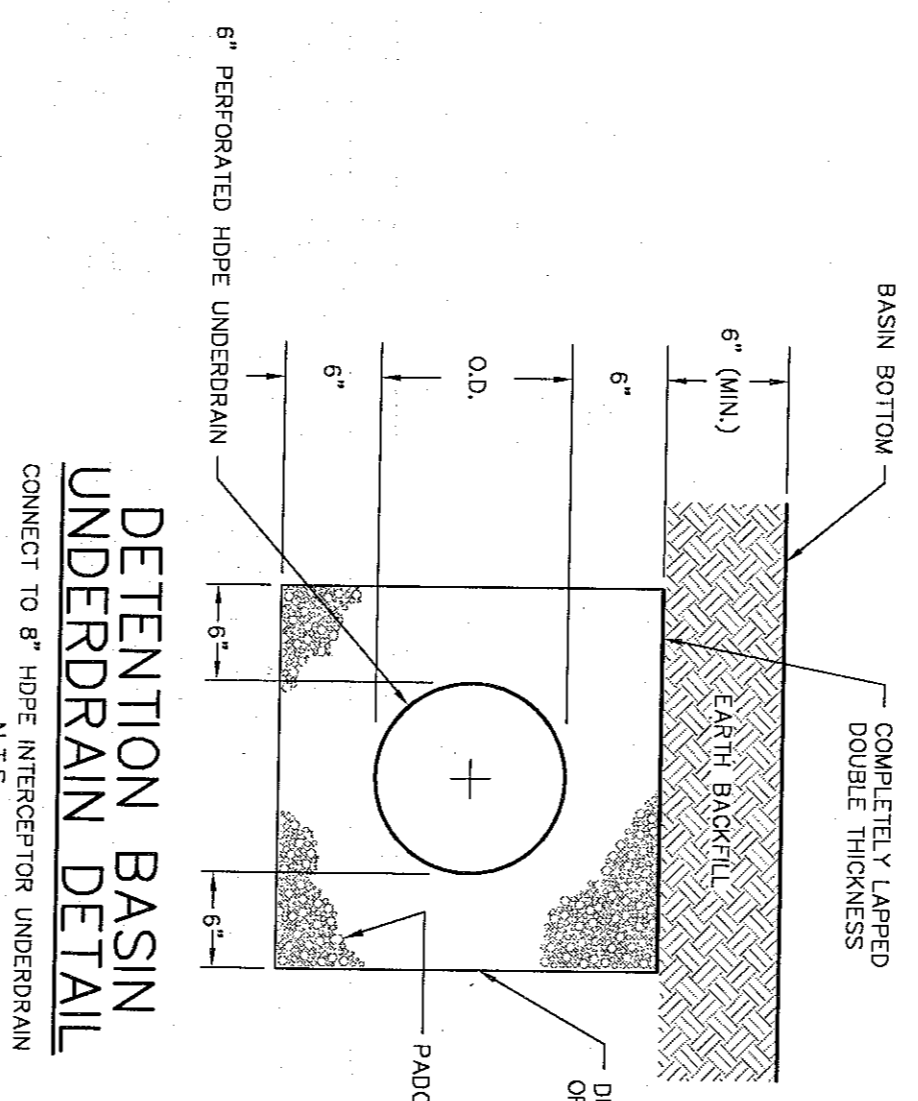
PRIMARY ORIFICE TRASH RACK DETAIL
N.T.S.



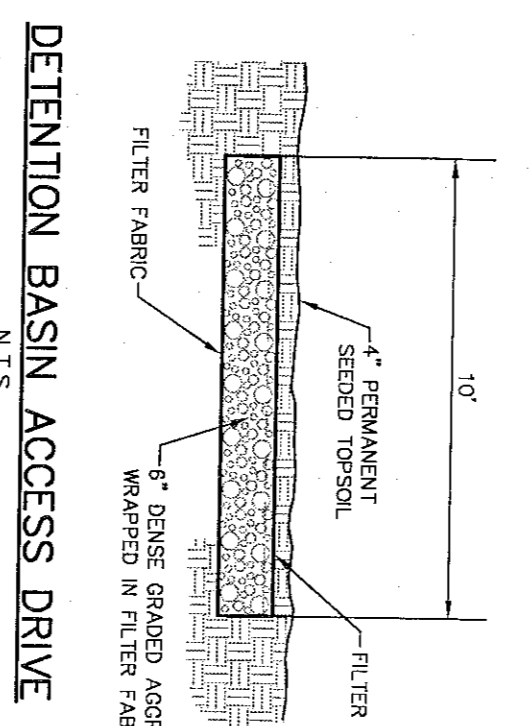
INTERCEPTOR DRAIN DETAIL
CONNECT TO OUTLET STRUCTURE
N.T.S.



DETENTION BASIN UNDERDRAIN DETAIL
CONNECT TO 8" HOPE INTERCEPTOR UNDERDRAIN
N.T.S.

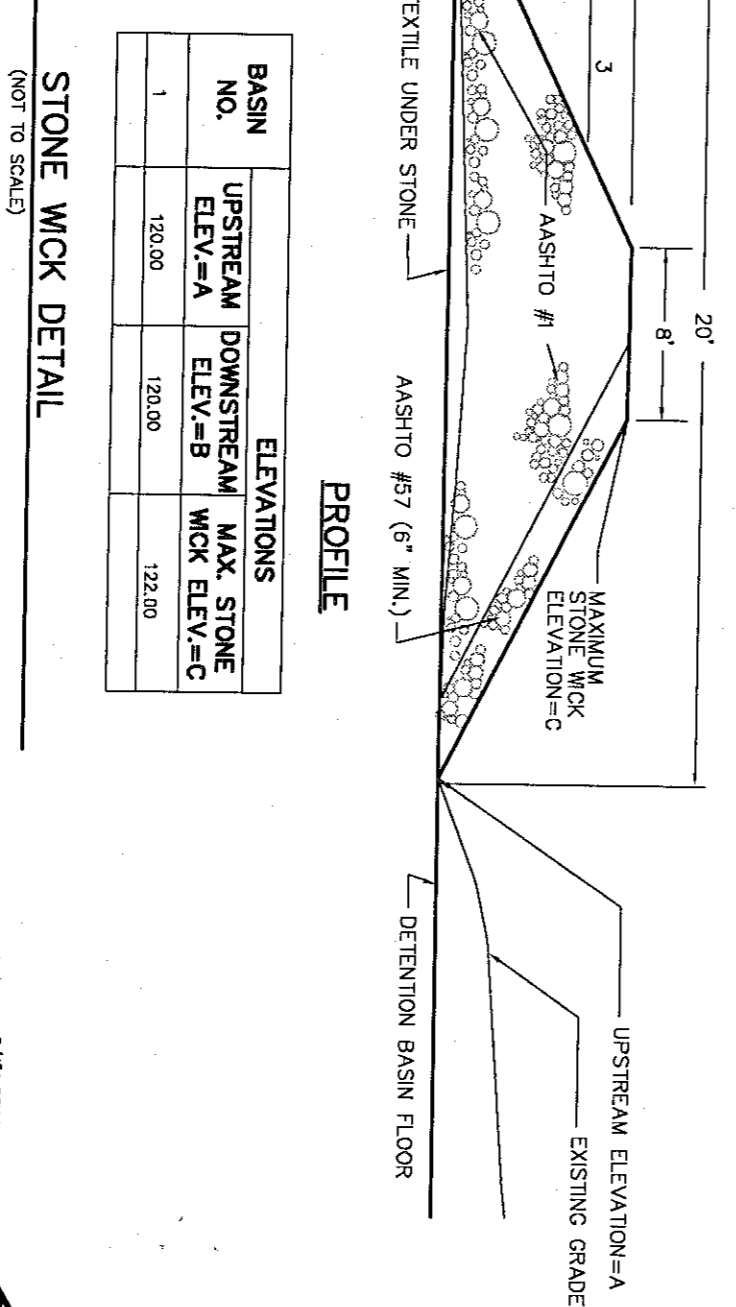


DETENTION BASIN ACCESS DRIVE
N.T.S.

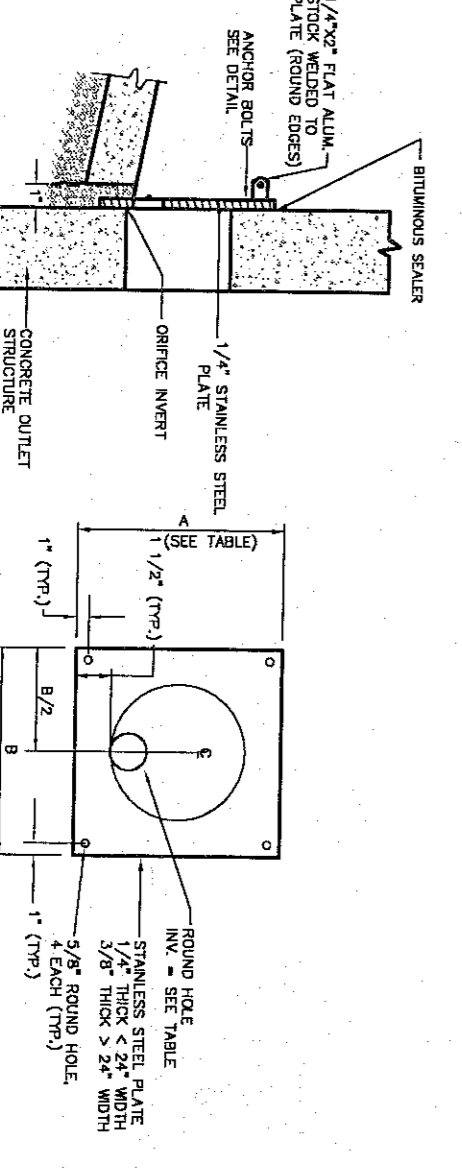


1. THE MATERIALS NOTED ABOVE FOR THE BASIN ACCESS DRIVES ARE TO BE INSTALLED BETWEEN CURB AND ROAD, AS WELL AS ENTIRE LENGTH OF ACCESS TO THE DETENTION BASIN.

STONE WICK DETAIL
(NOT TO SCALE)



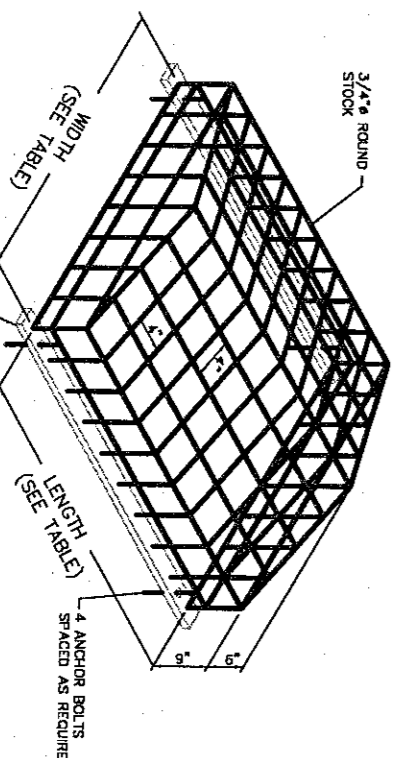
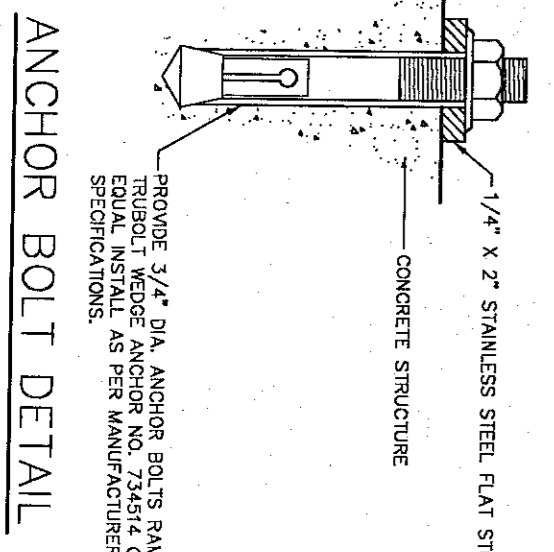
BASIN NO.	UPSTREAM ELEVATION	DOWNSTREAM ELEVATION	MAX. STONE WICK ELEVATION
1	126.00	120.00	122.00



ORIFICE PLATE DETAIL
N.T.S.

BASIN #	ORIFICE #	ORIFICE NO.	ORIFICE DIA.	ORIFICE ELEV.
1	1	1	11.40	114.00
2	2	2	11.40	114.00
3	3	3	14.00	140.00

ANCHOR BOLT DETAIL
N.T.S.



TOP OF STRUCTURE TRASH RACK
SCALE: N.T.S.

BASIN STRUCTURE #	LENGTH	WIDTH
1	4' - 3 1/4"	2' - 6"
2	4' - 3 1/4"	2' - 6"
3	4' - 3 1/4"	2' - 6"

DETENTION BASIN DETAILS

REGENCY AT PROVIDENCE
(a.k.a. FOGEL TRACT)

UPPER PROVIDENCE TWP., MONTGOMERY CO., PENNSYLVANIA

REV.	DATE	DESCRIPTION	DRAWN
4	1/31/05	FINAL CONSTRUCTION DRAWINGS	MDD
3	8/04/04	AGENCY REVIEW LETTER DATED 7/29/04	MDD
2	7/21/04	AGENCY REVIEW LETTERS 6/29/2004, 6/30/2004	MDD
1	6/07/04	AGENCY REVIEW LETTERS; TOWNSHIP COMMENTS	PAB

ESE EASTERN STATES ENGINEERING

CIVIL ENGINEERS - LAND SURVEYORS - LANDSCAPE

250 GIBLARTAR ROAD
SUITE 2E
HORSHAM, PA 19044
TEL: (215) 914-2050
FAX: (215) 293-5488

JAMES D. TAKACS
REGISTERED PROFESSIONAL ENGINEER
PENN. REG. NO. 100000