

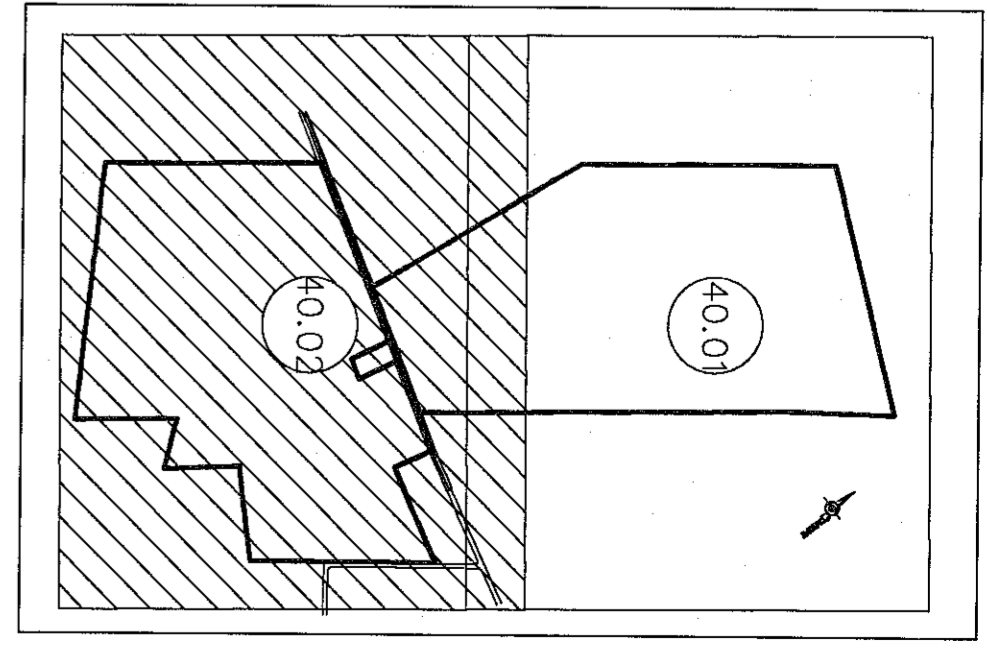
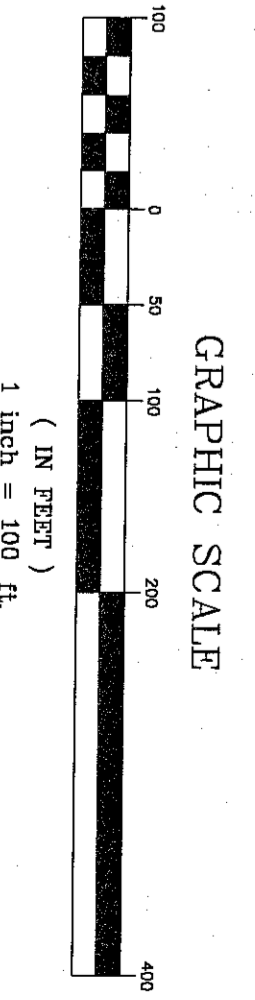
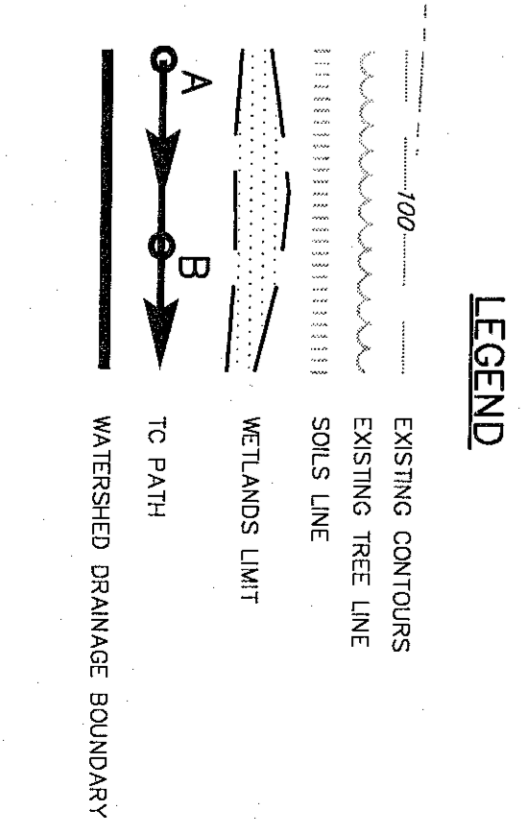
PRE-DEVELOPED
WATERSHED 4
AREA = 3.94 AC.
RUNOFF 'C' = 0.28
Tc = 0.1500 Hr.

PRE-DEVELOPED
WATERSHED 5
AREA = 25.33 AC.
RUNOFF 'C' = 0.29
Tc = 0.3333 Hr.

PRE-DEVELOPED
WATERSHED 6
AREA = 13.60 AC.
RUNOFF 'C' = 0.30
Tc = 0.2500 Hr.

PRE-DEVELOPED
WATERSHED 5
AREA = 3.53 AC.
RUNOFF 'C' = 0.21
Tc = 0.1667 Hr.

PRE-DEVELOPED
WATERSHED 7
AREA = 5.50 AC.
RUNOFF 'C' = 0.36
Tc = 0.1833 Hr.

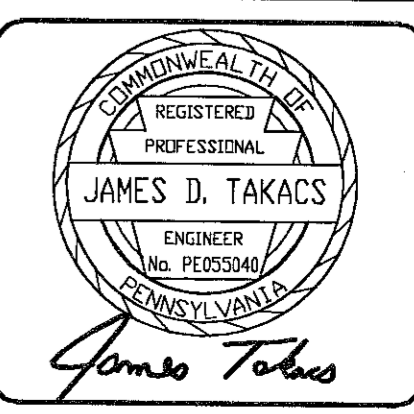


PRE-DEVELOPMENT DRAINAGE PLAN
REGENCY AT PROVIDENCE
(a.k.a. FOGEL TRACT)
UPPER PROVIDENCE TWP., MONTGOMERY CO., PENNSYLVANIA

REV.	DATE	DESCRIPTION	DRAWN
4	1/31/05	FINAL CONSTRUCTION DRAWINGS	MOD
3	8/04/04	AGENCY REVIEW LETTER DATED 7/29/04	MOD
2	7/21/04	AGENCY REVIEW LETTERS 6/29/2004, 6/30/2004	MOD
1	6/07/04	AGENCY REVIEW LETTERS; TOWNSHIP COMMENTS	PAB

ESE EASTERN STATES ENGINEERING
 250 GIBRALTAR ROAD
 SUITE 2E
 HORSHAM, PA 19044
 TEL: (215) 914-2050
 FAX: (215) 293-5488

CIVIL ENGINEERS - LAND SURVEYORS - LANDSCAPE ARCHITECTS - LAND PLANNERS



DATE: 12/8/03
 DESIGNER: JT
 CHECKER: PAB
 FILE NUMBER: S-DR-PRE-1114
 SHEET: 74 OF 78